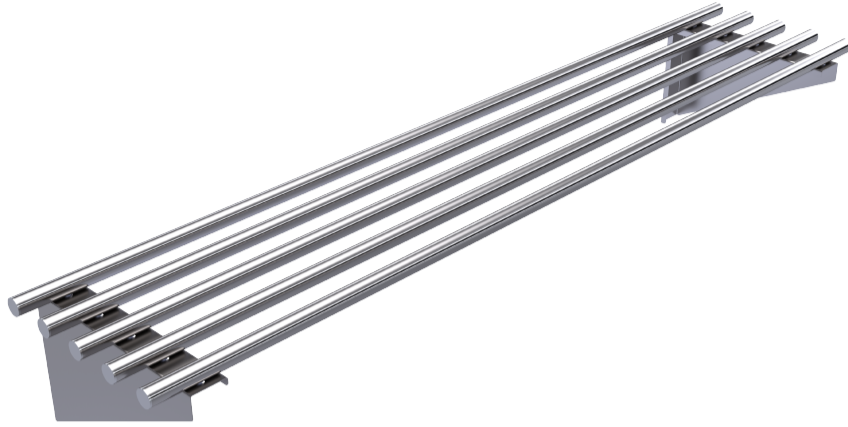




# SIMPLY STAINLESS

Modular Sinks, Tables & Shelving



### 11-1500

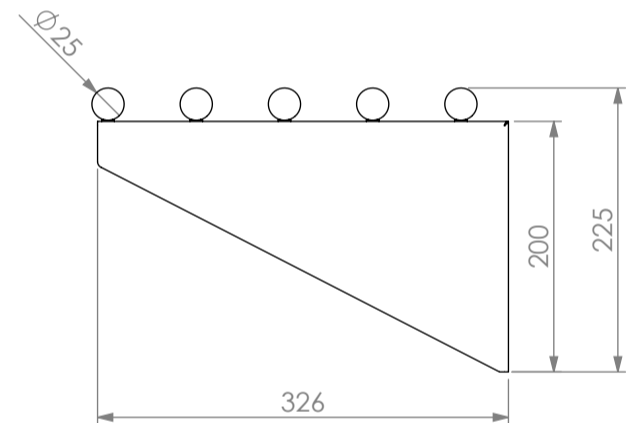
\*Units 600mm to 1500mm have 2 brackets.



### 11-1800

\*Units 1800mm to 2100mm have 3 brackets.  
\*Units 2400mm have 4 brackets.

SPECIFICATION	
Tops	- Ø25mm stainless steel tube. - Stainless steel end caps.
Frames	- Stainless Steel Brackets.



11	Pipe Wall Shelf		
	Product Code	Unit weight (Kg)	Dimensions (mm)
	11-0600	4	600x326x225
	11-0900	5	900x326x225
	11-1200	7	1200x326x225
	11-1500	9	1500x326x225
	11-1800	11	1800x326x225
	11-2100	14	2100x326x225
	11-2400	16	2400x326x225

